

# DATA SHEET SPRINGRIDER PINNA 2

Text for invitation to tender | Item No: 51 3100 401



## MATERIALS | SCOPE OF SUPPLY

Springrider, pre-mounted completely

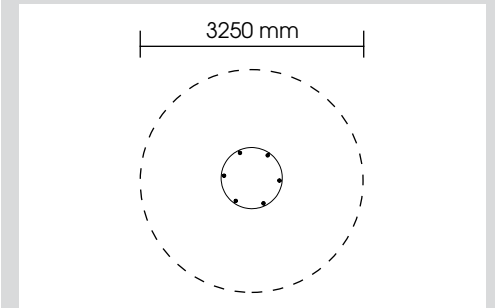
Half globe:	EPDM caoutchouc 1 piece
Spring:	spring steel Ø 20 mm Ø 200 x 200 mm height
Foundation anchor:	galvanized steel

## TECHNICAL INFORMATION

Dimensions:

Main dimension:	Ø 250 mm
Height:	340 mm
Weight:	20 kg
Capacity:	acc. to normative requirements
Dimension largest piece:	500 x 500 x 840 mm
Heaviest piece:	20 kg

Max. fall height:	340 mm
Impact area:	8,30 m <sup>2</sup>
Required safety slabs:	12,25 m <sup>2</sup>
Required lawn grating:	16,00 m <sup>2</sup>
Recommended surface material:	optional



## INSTALLATION

Foundations: 1

Modified installation depth possible  
(special edition)

Installation according to our detailed mounting instructions, see [www.stilum.com](http://www.stilum.com)

